

# DM Idea



Scroll saw patterns & Woodworking plans

# Hummer



[www.dmidea.eu](http://www.dmidea.eu)

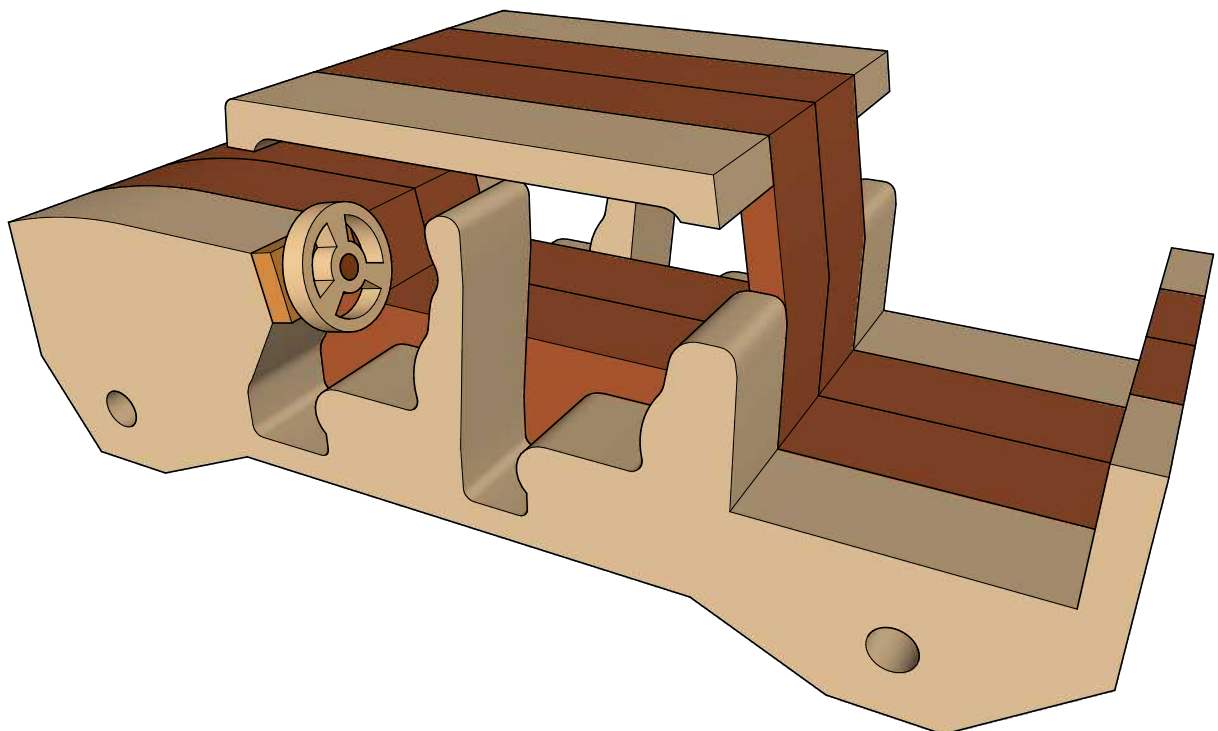
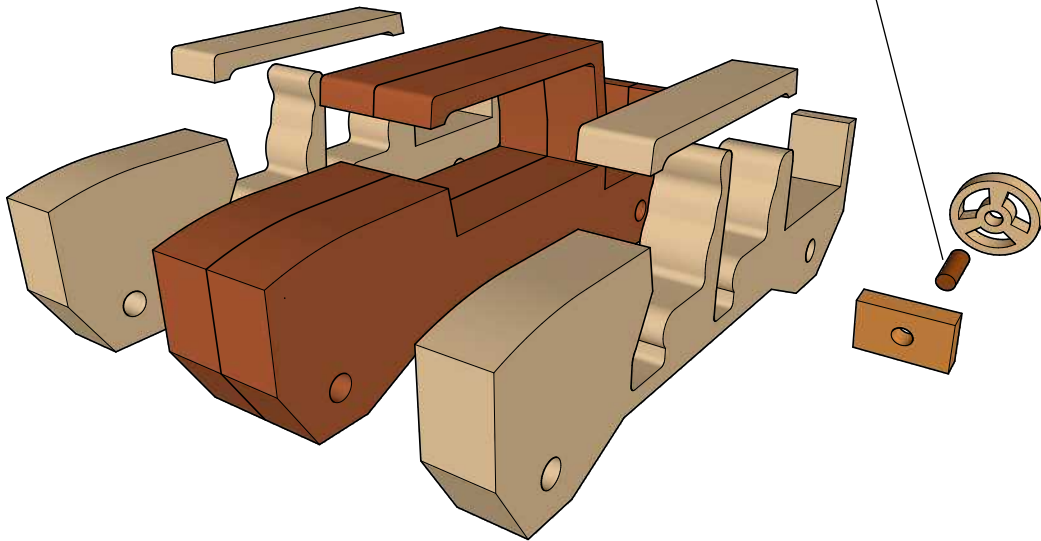
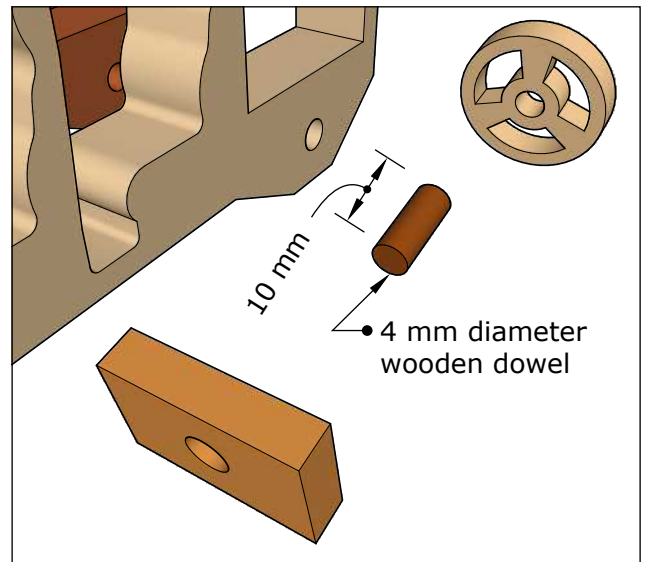
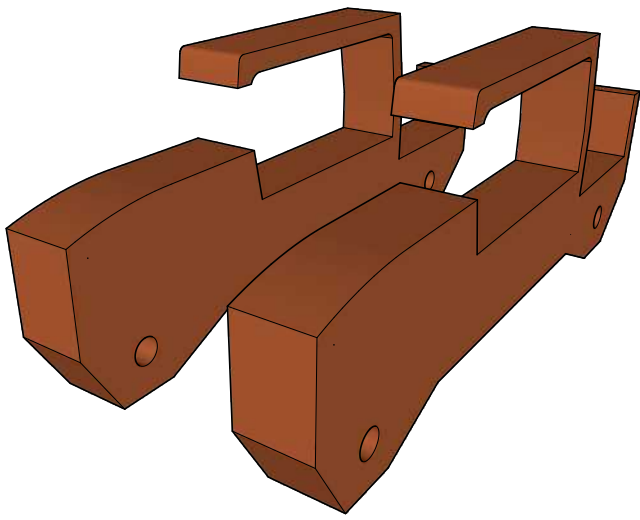
DM Idea -YouTube

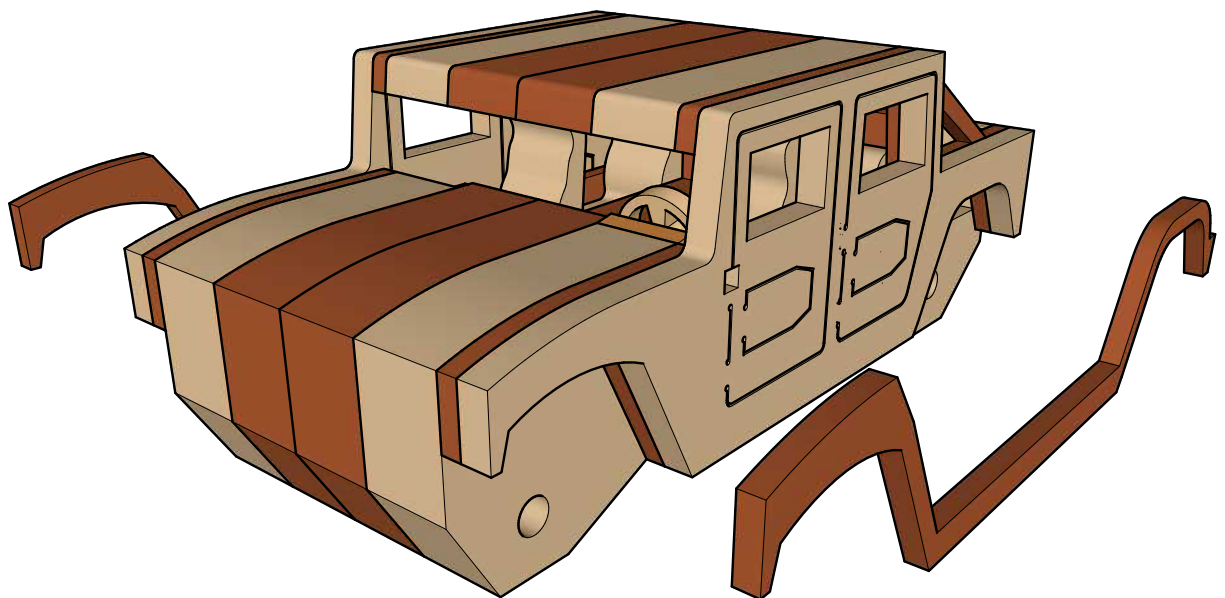
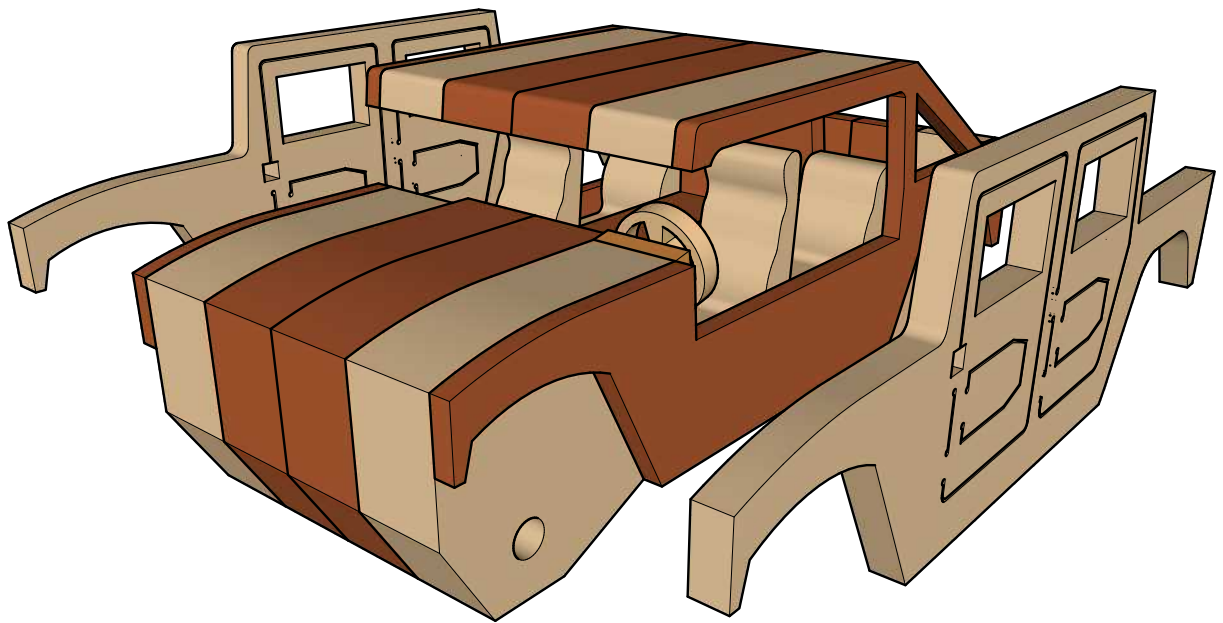
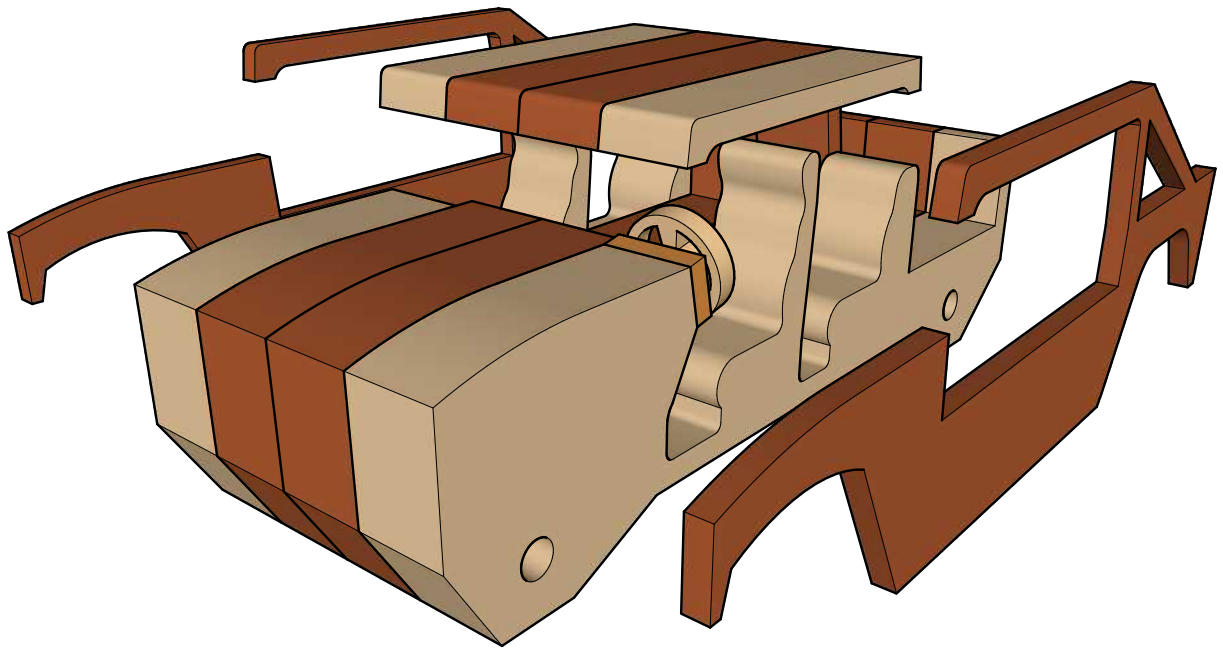
danielmiskoidea@gmail.com

Patterns for personal use only.

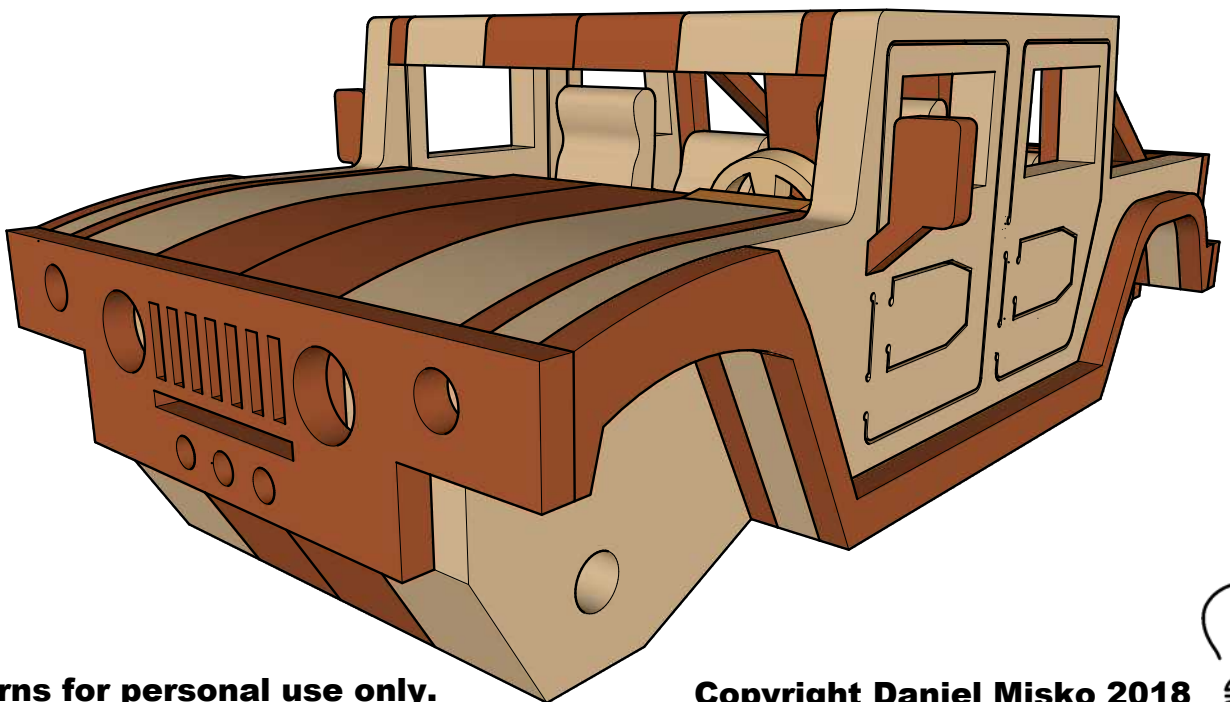
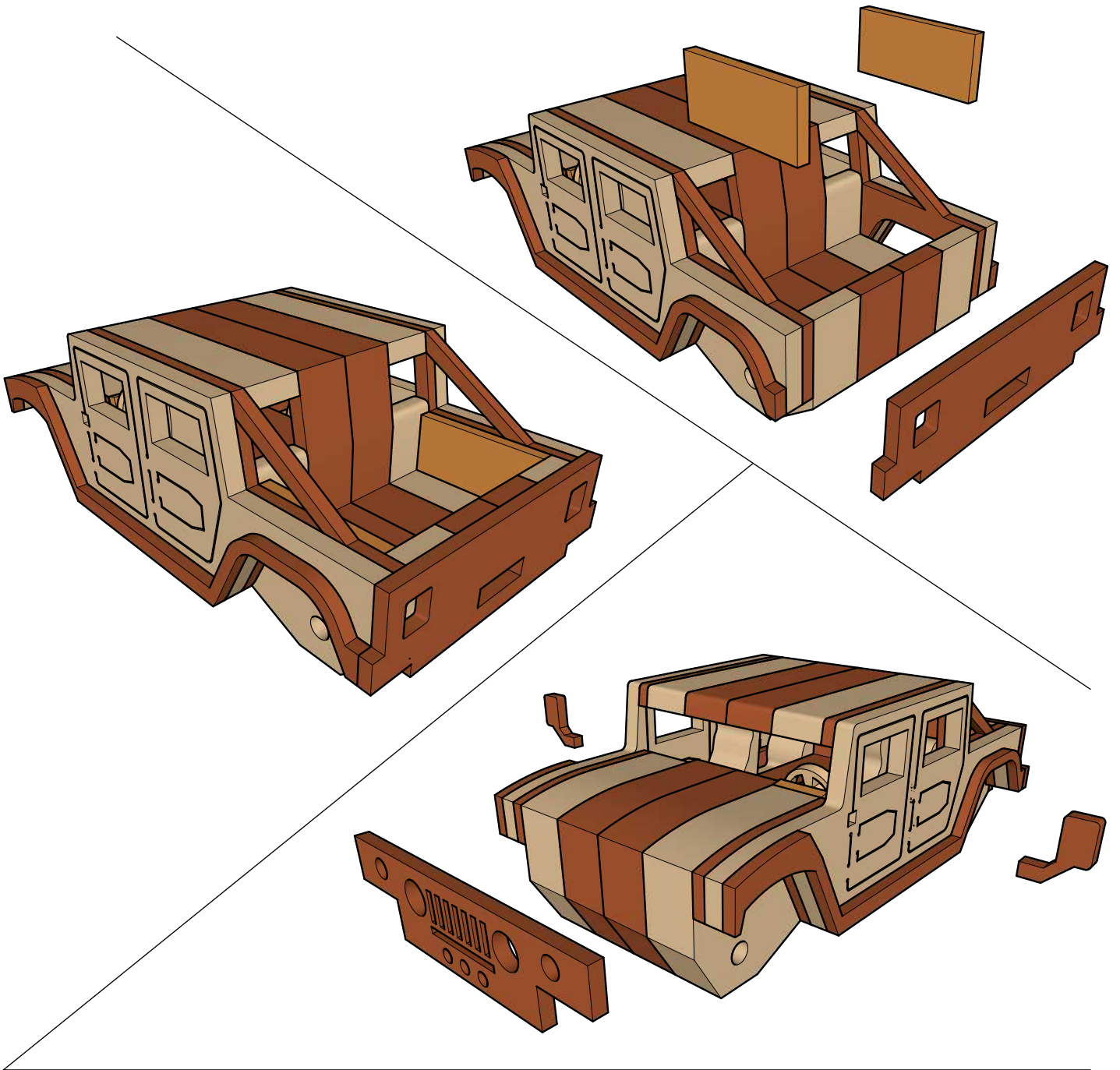
Copyright Daniel Misko 2018

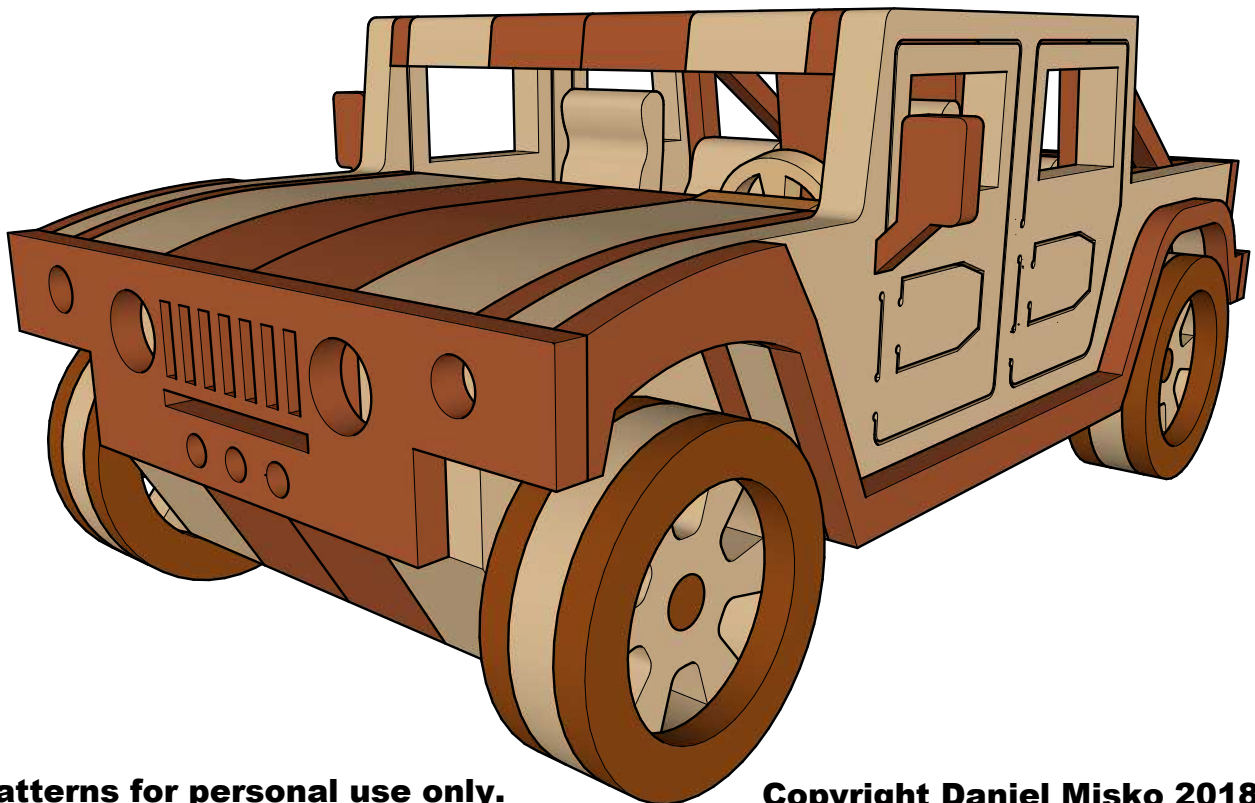
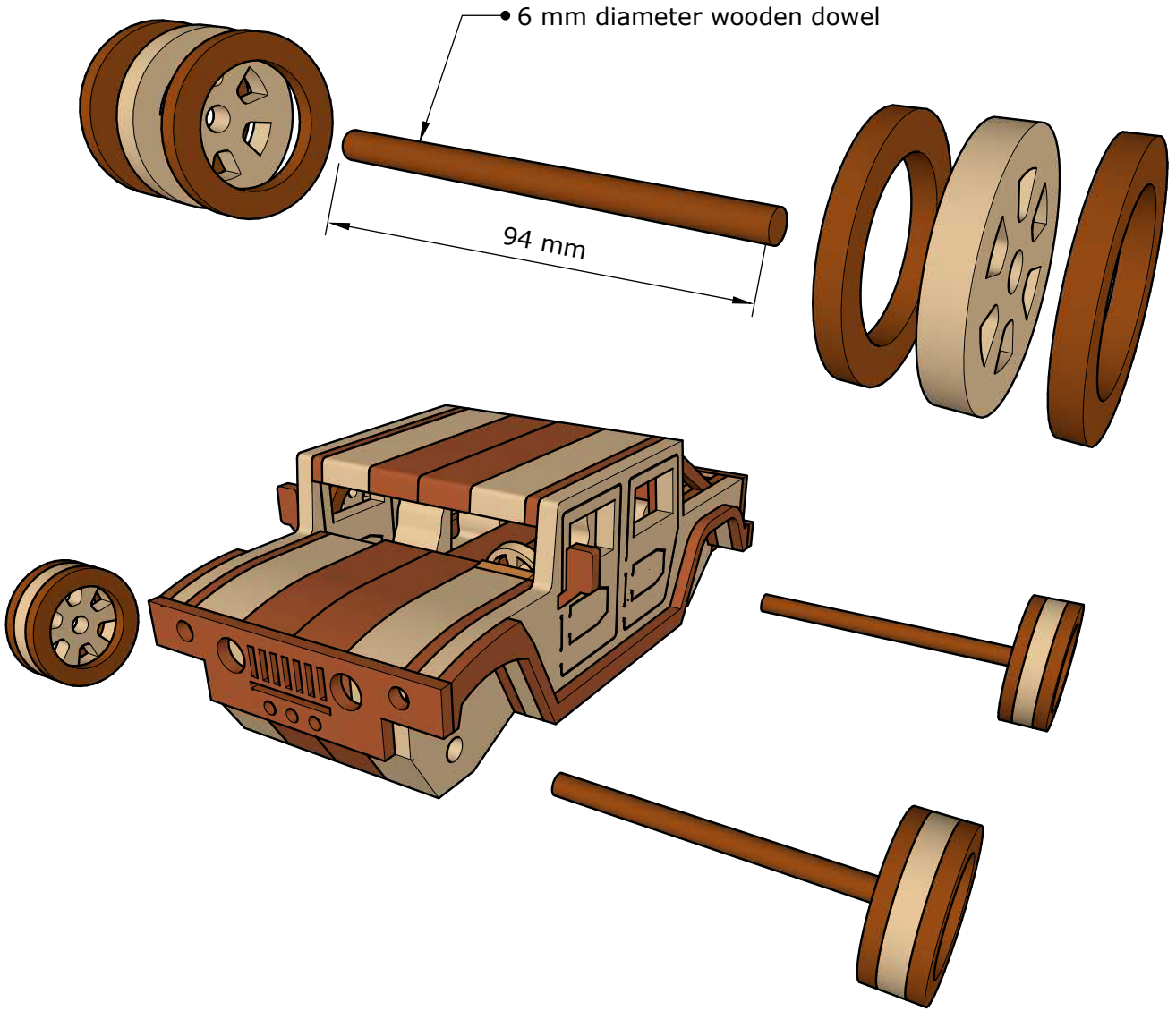




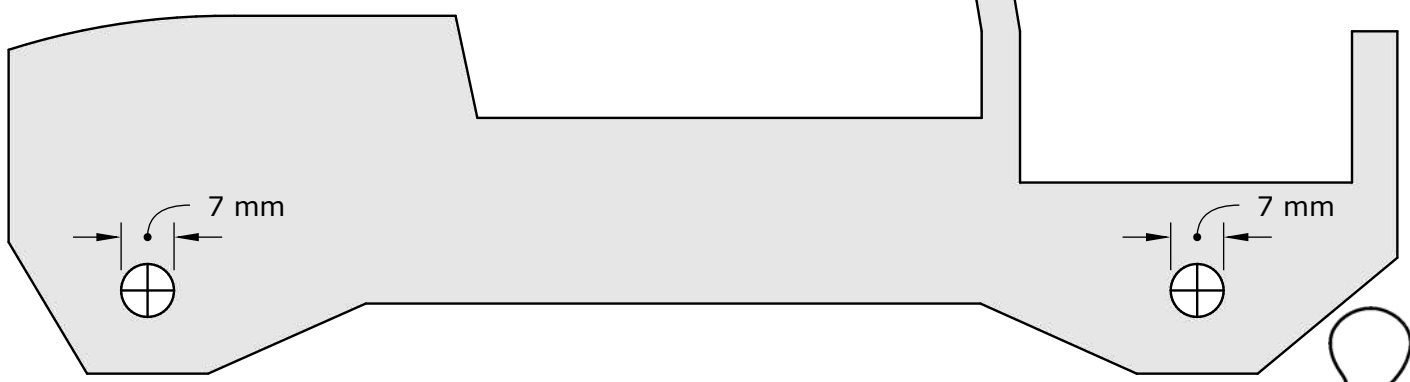
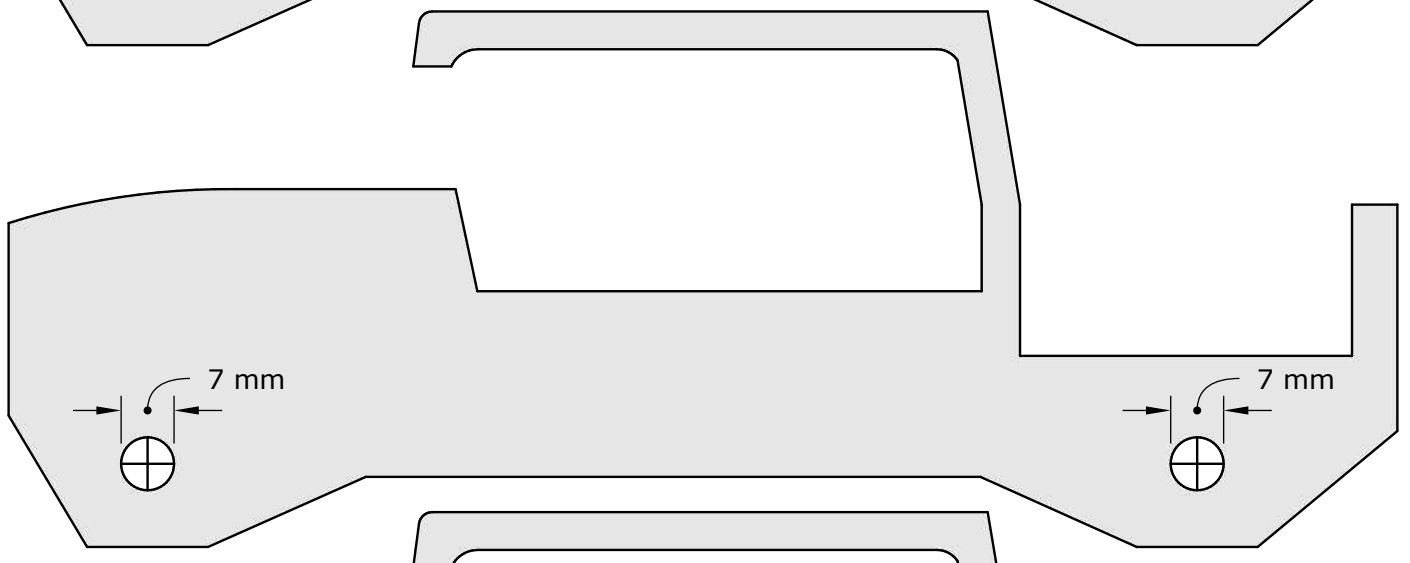
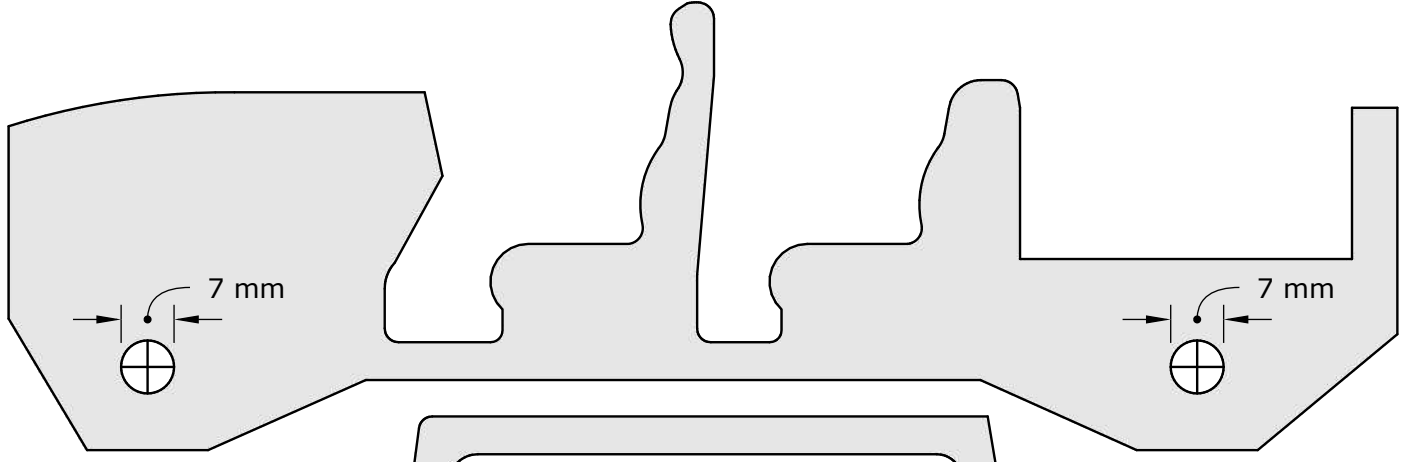
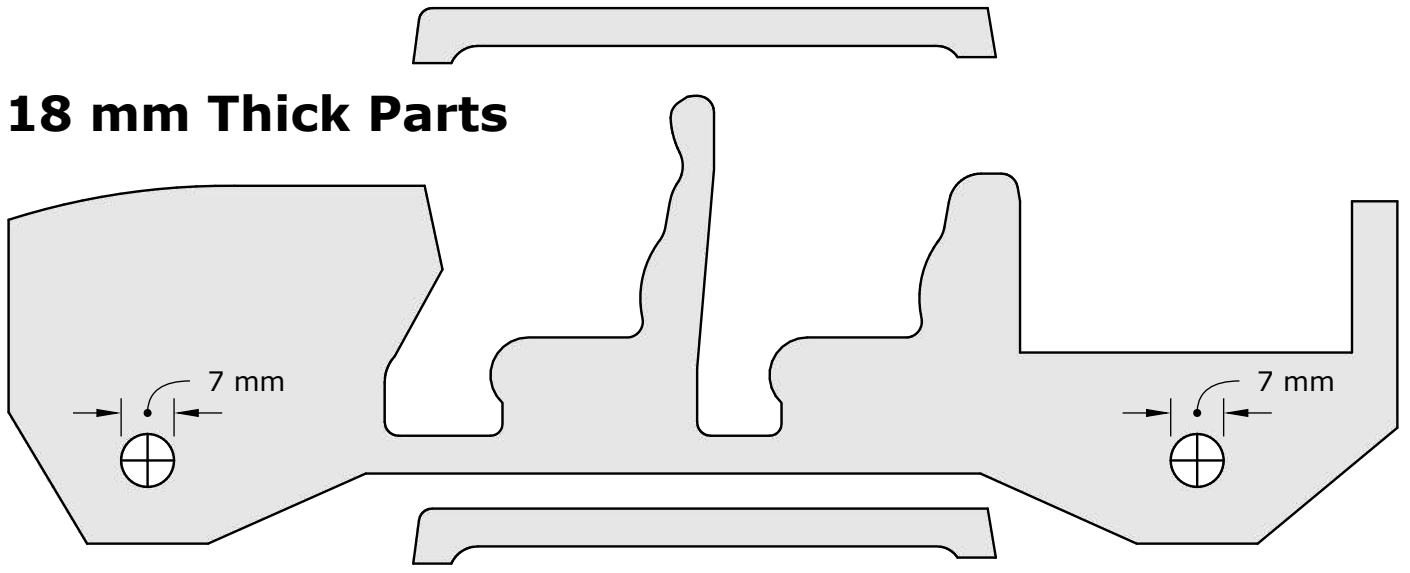


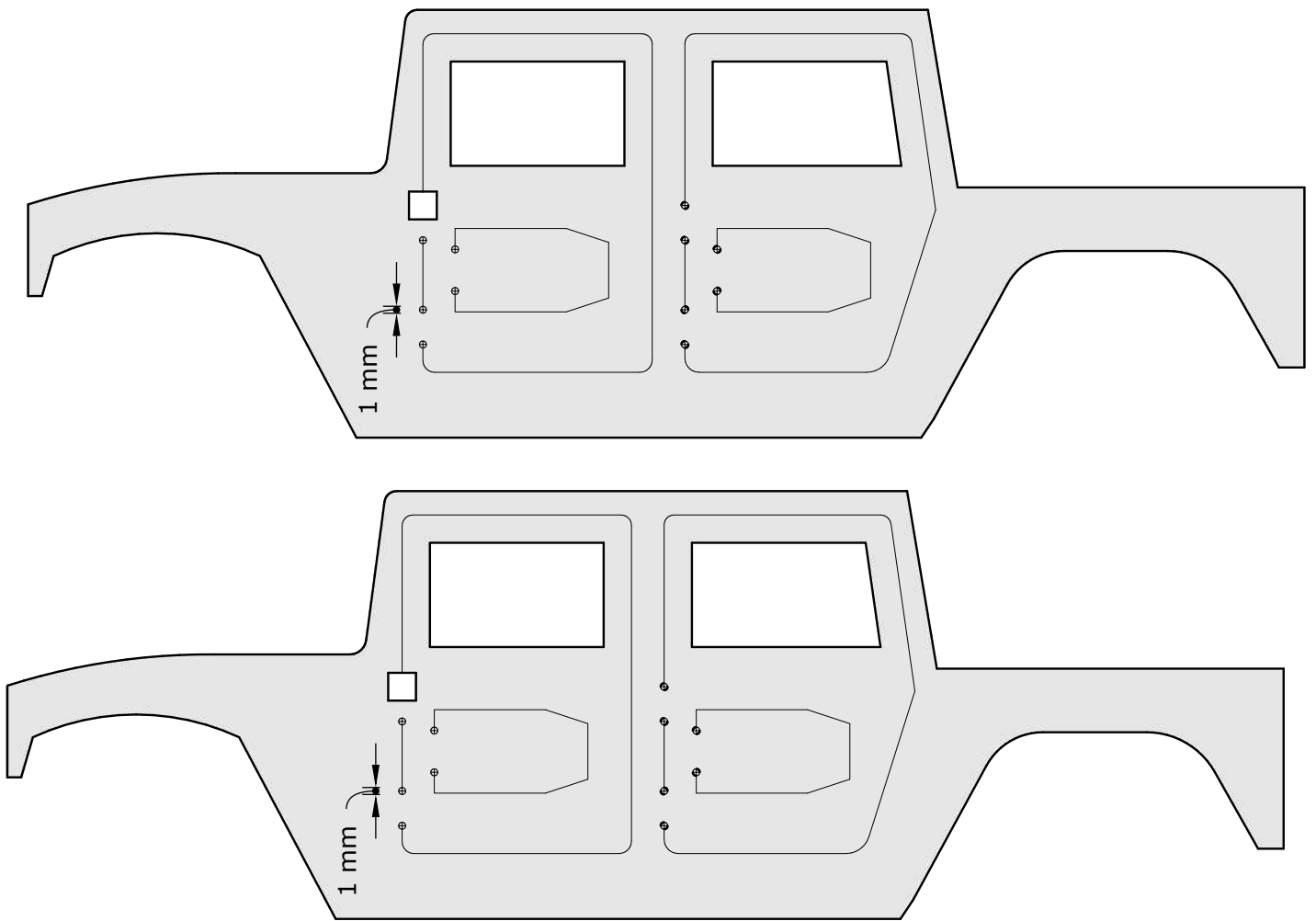




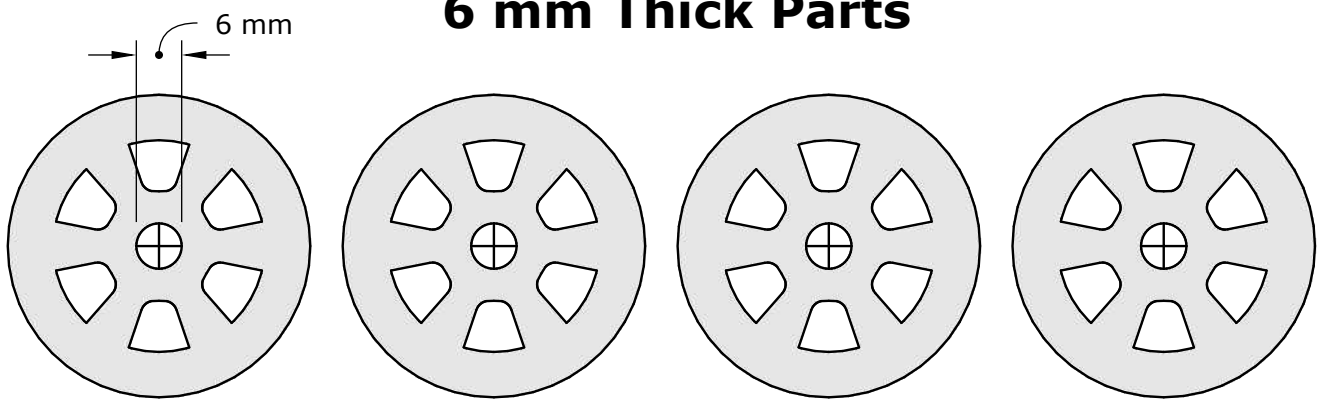


# 18 mm Thick Parts

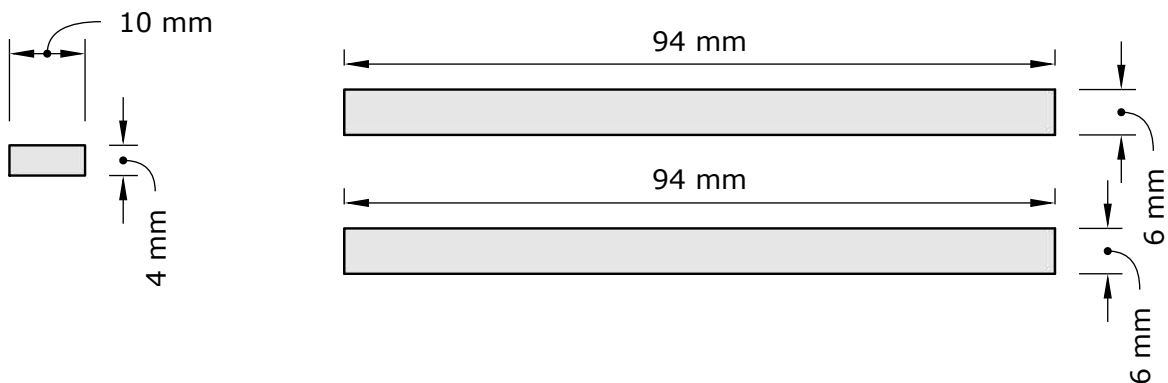


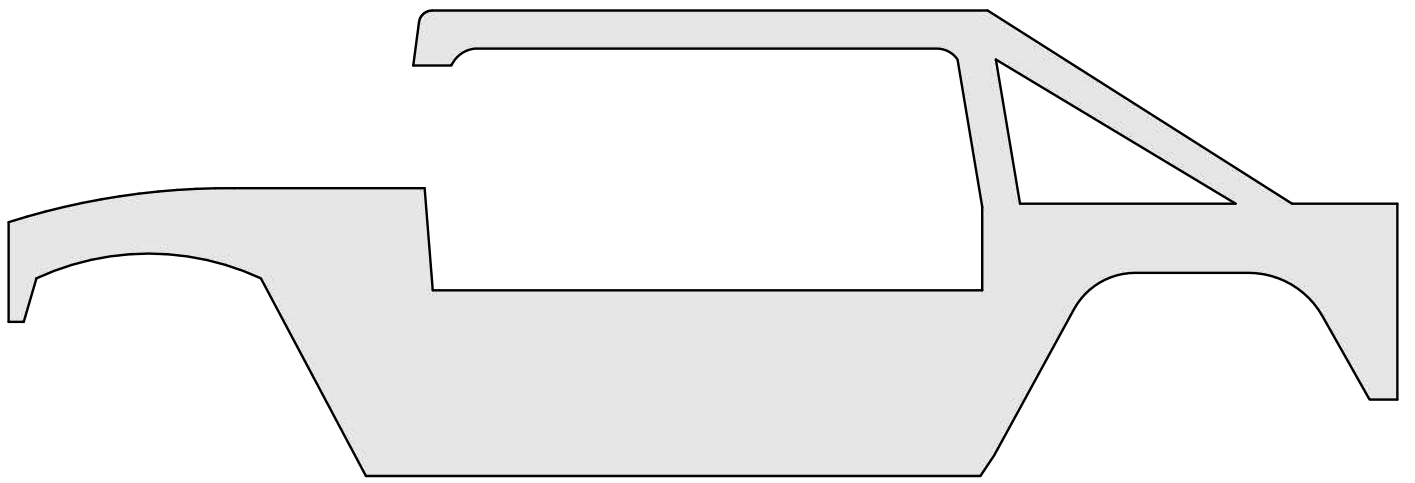


### 6 mm Thick Parts

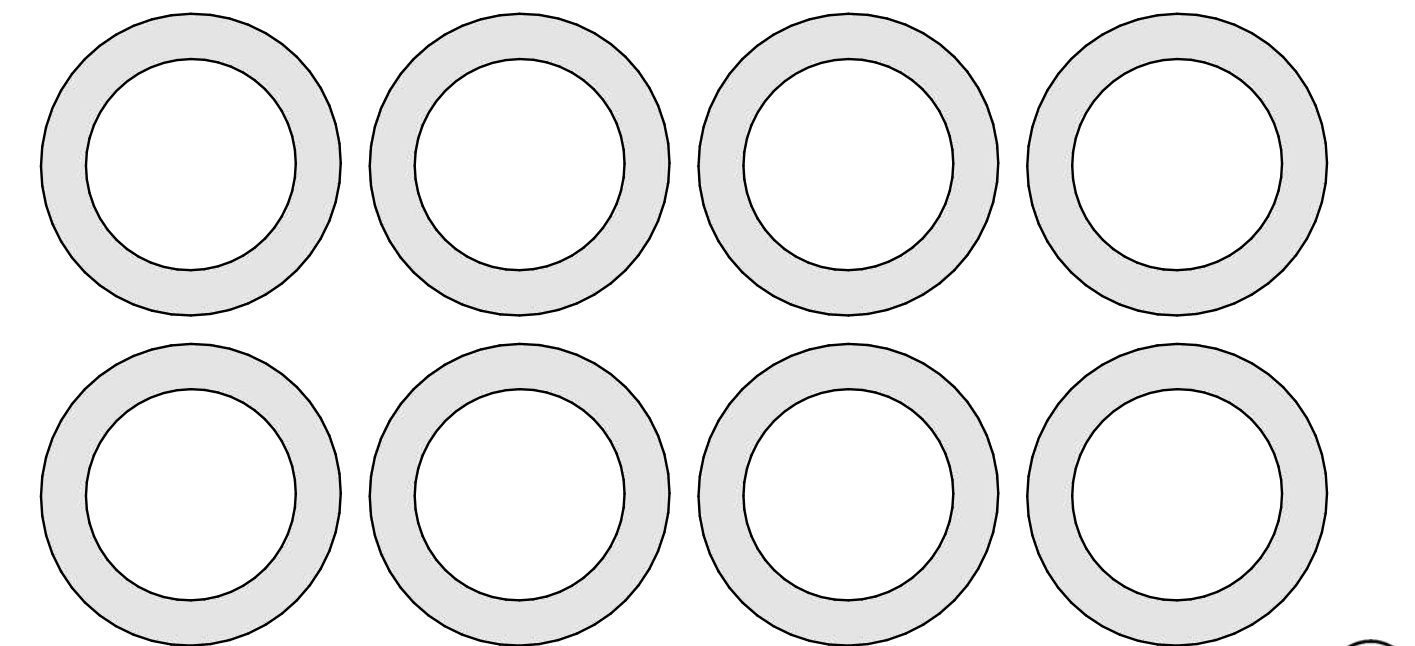
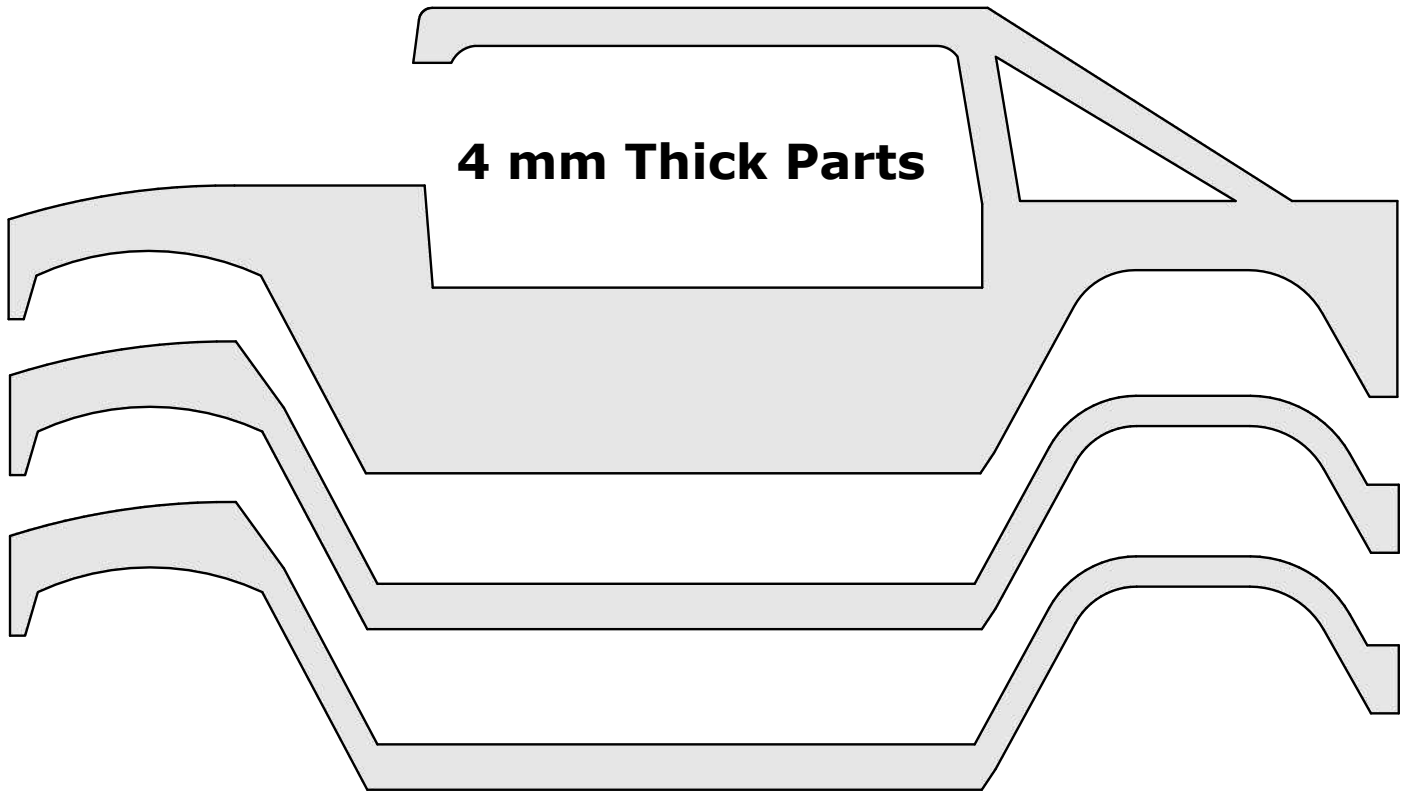


### Wooden dowels length guide.

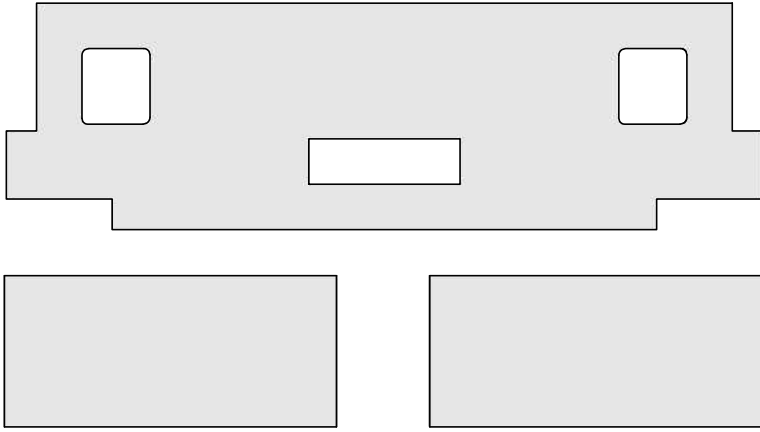




**4 mm Thick Parts**







## 4 mm Thick Parts

